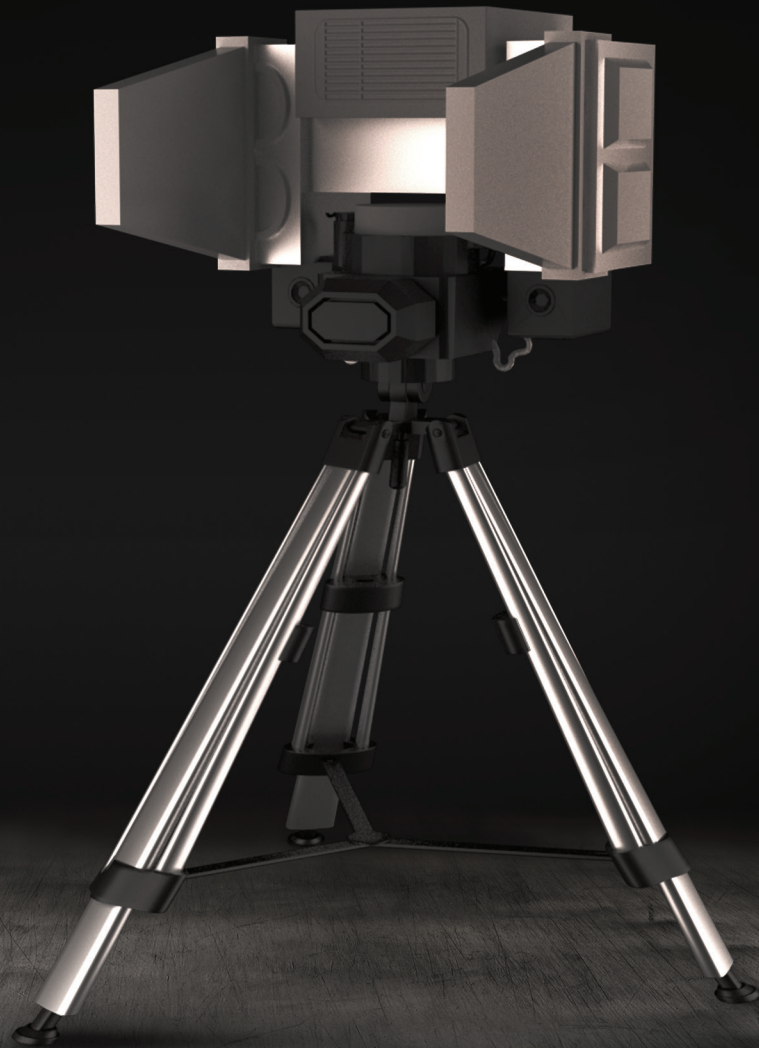


# SIGN4L

## NavControl-G

ATTACKS  
DISABLED.  
DEFENSE  
SECURED.



The NavControl-G system uses the most advanced GNSS counter-measures to provide robust defence against hostile unmanned aerial vehicles. Designed and built by SIGN4L in the UAE, the NavControl-G produces covert GNSS denial and emulation with either single-point or dynamic spoofing to safely distance unmanned aerial vehicle threats.

# S P E C I F I C A T I O N S

## **Key Features:**

- Denying and emulating onboard GNSS satellite navigation system hardware
- Single-point or dynamic spoofing

## **Tripod configuration:**

The tripod configuration allows operators to shape and radiate GNSS signals identical to those of GNSS signals in the area where the target GNSS receiver is located

## **Components:**

- Jamming/spoofing transmitter housed in shock-proof case
- Two-frequency directional antenna
- Tripod